

SANYO

1/3" Colour CCD DSP High-Resolution Camera

- Super high horizontal resolution of 520 TV lines
- High sensitivity — Image illumination of 0,16 lx @ 50 IRE
- Scene illumination of 1.0 lx @ 50 IRE
- A uniquely compact design
- 24V AC and 12 to 15V DC, dual power operation

VCC-5885P Colour
PAL

DIGITAL
.....



Enclosed installation in
a 6-inch dome.
Smoked dome also available.

520 TVL
SUPER HIGH RESOLUTION

1.0 LUX
HIGH SENSITIVITY

Lens not supplied with camera.

Made in Japan

The product introduced here is manufactured in Japan
utilizing advanced technologies and quality control.

VCC-5885P

Features

- 1/3-inch CCD image sensor with approx. 470,000 picture elements.
- Super high horizontal resolution of 520 TV lines for maximum detail and a noticeably sharper, clearer picture.
- High sensitivity for monitoring at a minimum required illumination of 0,16 lx (image illumination) with F1.2 lens (AGC on).
- Built-in DSP (digital signal processing) circuitry delivers superior colour reproduction and reduced noise.
- Backlight compensation (centre-zone photometry system) Luminance measured at centre and automatic lens aperture adjustment enable a clear image even when backlit.
- Automatic gain control
A sliding ON/OFF switch allows you to turn the automatic gain control on or off as required.
- A uniquely compact design
Its extraordinarily compact size [63 (W) x 68 (H) x 51 (D) mm] makes the camera inconspicuous. And it is possible to hide it even more effectively by enclosing it in a clear or smoked 6-inch dome.

Other Features

- Auto-tracing white balance.
- Electronic iris for indoor use with manual or fixed iris lens.
- Internal/Line lock synchronizing system.
- Runs on 24V AC or 12 to 15V DC power sources.

Specifications

Model No.		VCC-5885P
Scanning system		PAL Standard 625 Lines, 25 frames/sec.
Image sensor		1/3" (approx. 4.8 x 3.6 mm) interline transfer method CCD
Effective picture elements		752 (H) x 582 (V)
Resolution		520 TV lines (horizontal), 400 TV lines (vertical)
Illumination		1.0 lx (scene illumination) at F1.2, 0,16 lx (image illumination) at F1.2
Video output level		1.0 V (p-p) / 75 ohms, composite
Video S/N ratio		More than 50 dB (AGC off)
Backlight compensation		ON / OFF — Slide SW (side) ON = Centre-zone photometry system — Slide SW (side) (activated when auto iris lens used)
White balance		TTL auto tracing white balance
Gain control		AGC on/off
Light control		Optical auto iris lens / Electronic iris (indoor use)
Lens mount		CS mount (top / bottom selectable)
Flange back		12.5 mm ±0.5 mm adjustment
Auto iris lens		DC type
Auto iris output		DC: Drive coil (+, -), Brake (damp) coil (+, -)
Lens iris level		LEVEL: L to H — VR (side)
Electronic iris		ON (EI) / OFF (AI) — Slide SW (side)
Electronic iris range		1.0 to 50,000 lx (with F1.2 lens)
Synchronizing system		Internal sync / Line lock — Slide SW (side)
V phase adjustment		LINE PHASE — VR (rear)
Sockets	Video signal	VIDEO OUT — BNC (rear)
	Auto iris lens	LENS — 4-pin (side)
	Power supply	24V AC, GND — Pushlock terminal x 3 (rear) 12 to 15V DC, GND — Pushlock terminal x 2 (rear)
Operating conditions	Operating	Temperature: -10°C to 50°C [14°F to 122°F], Humidity: within 90% RH
	Storage	Temperature: -20°C to 70°C [-4°F to 158°F], Humidity: within 70% RH
Power requirement		24V AC, 50 Hz / 12 to 15V DC
Power consumption (approx.)		3.6 W
Camera mount		1/4" - 20 UNC (top / bottom selectable)
Dimensions (approx.)		63 (W) x 68 (H) x 51 (D) mm [2.48 (W) x 2.68 (H) x 2.01 (D) in.] (excluding protrusions)
Weight (approx.)		160 g [5.64 oz] (without lens)

NOTE: Specifications subject to change without notice.

520 TVL Cameras for Greater Peace of Mind



VCC-6585P
1/3" Colour CCD DSP
High-resolution Camera



VDC-D1185VP DAY NIGHT
1/4" Colour CCD DSP High-resolution
Day/Night Vandal resistant Dome Camera



VCC-6592P
1/3" Colour CCD DSP
High-sensitivity/
resolution Camera



VCC-4592P DAY NIGHT
1/3" Colour CCD DSP
High-resolution
Day/Night Camera



VCC-9400P DAY NIGHT
1/4" Colour CCD DSP
High-resolution Day/Night
Speed Dome Camera



VCC-D2185VP DAY NIGHT
1/4" Colour CCD DSP High-resolution
Day/Night Vandal resistant Dome Camera



VCC-9300P
1/4" Colour CCD DSP
High-resolution
Speed Dome Camera



VCC-ZM400P DAY NIGHT
1/4" Colour CCD DSP
High-resolution Day/Night
AF Zoom Camera

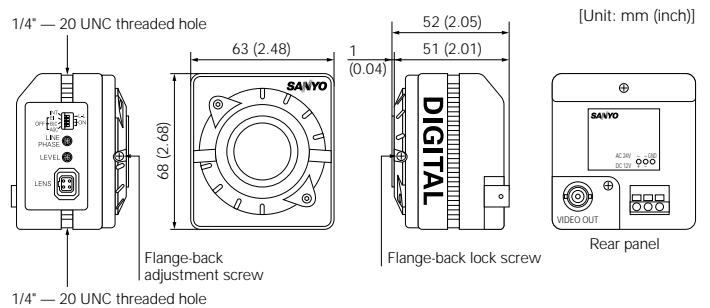


VCC-ZM300P
1/4" Colour CCD DSP
High-resolution
AF Zoom Camera



VCC-XZ400P DAY NIGHT
1/4" Colour CCD DSP High-resolution
Day/Night Weatherproof Camera

Dimensions



Caution: Please consult the instruction manual to ensure safe and proper operation of the product.



DI Solutions Company of Sanyo Electric Co., Ltd. obtained Quality Management System ISO9001 and Environmental Management System ISO14001 certifications.

Distributed by:

SANYO

SANYO Electric Co., Ltd.
www.sanyosecurity.com

©2004 SANYO Printed in Japan '04.6.MA.

SMS093